

X-CALIBER

EX1000 / EX2000



AN OPTIMUM IMAGING SYSTEM FOR
PANORAMIC · TMJ · CEPHALOMETRIC
RADIOGRAPHY

 Belmont

X-CALIBER FOR PANORAMIC, TMJ, AND CEPHALOMETRIC RADIOGRAPHY

AUTOMATIC PROGRAM SELECTION PANORAMIC:

60-90 kVp, light-beam indicator, touch controls. mA and exposure time are constant.

TMJ:

60-90 kVp, light-beam indicator, touch controls. mA and exposure time are constant.

CEPHALOMETRIC:

60-90 kVp, 0.3 to 3.2 sec. exposure time, touch controls. mA is constant.



CONTROL PANEL

A 15cm X 30cm cassette, with Kodak Lanex Regular intensifying screen increases anatomical detail and reduces patient's skindose.

A simple change of the head positioning support converts the Panoramic mode into the TMJ mode.

The height adjusts to accommodate adult or child, seated or standing.

One piece autoclaveable bite-fork.

107cm X 85cm space required.

U-Shaped base for stand-alone system is available.



AN OPTIMUM IMAGING SYSTEM :

Three-light beam positioning assures that the patient's mid-sagittal, frankfort, and focal-trough planes will be aligned for quality, diagnostic images.

The rotational speed adjusts to reduce the shadow effect on the film of the cervical vertebrae.

The metal cassette provides maximum film-screen contact for producing x-ray films with excellent detail, definition, contrast and clarity.



TMJ RADIOGRAPHY :

A screening device for TMJ dysfunction.

The four views of the open and closed TMJ are displayed on one 15cm X 30cm film.

The auditory meatus, fossa, articular eminence, and condyle are visible for dysfunction analysis.

A total exposure time of 15 sec.



ADULT FILM



CHILD FILM



TMJ



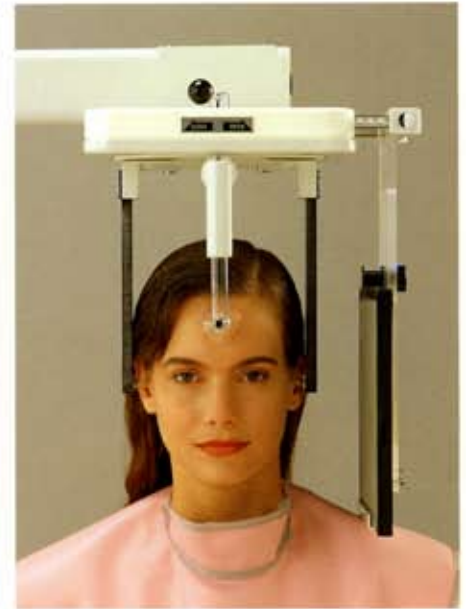


X-CALIBER CM MODEL EX-2000

The cephalometric can be ordered for left or right side installation at the time of the initial purchase of X-CALIBER CM.

The head positioner can be rotated through 90 degrees, to provide p. a., a. p., and lateral views.

Patient positioning is simple, accurate and reproducible by recording the value on the index scale.



A soft tissue filter clearly outlines the facial contour.

A rare earth imaging system reduces both patient's skindose and exposure time.

The detail and definition present the required points of reference for cephalometric tracings.



X-CALIBER TECHNICAL DATA AND DIMENSIONAL DRAWINGS

TECHNICAL DATA

X-CALIBER and X-CALIBER CM

Rated Peak Tube Potential 60-90kV (5kV in 7 steps)

Rated Tube Current 10 mA

Minimum Filtration 2.6 mm Al

Rated Line Voltage 120/220/230/240V
50/60Hz

Line Voltage Range $\pm 10\%$

Exposure Time 12 seconds at Panoramic mode
15 seconds at TMJ mode

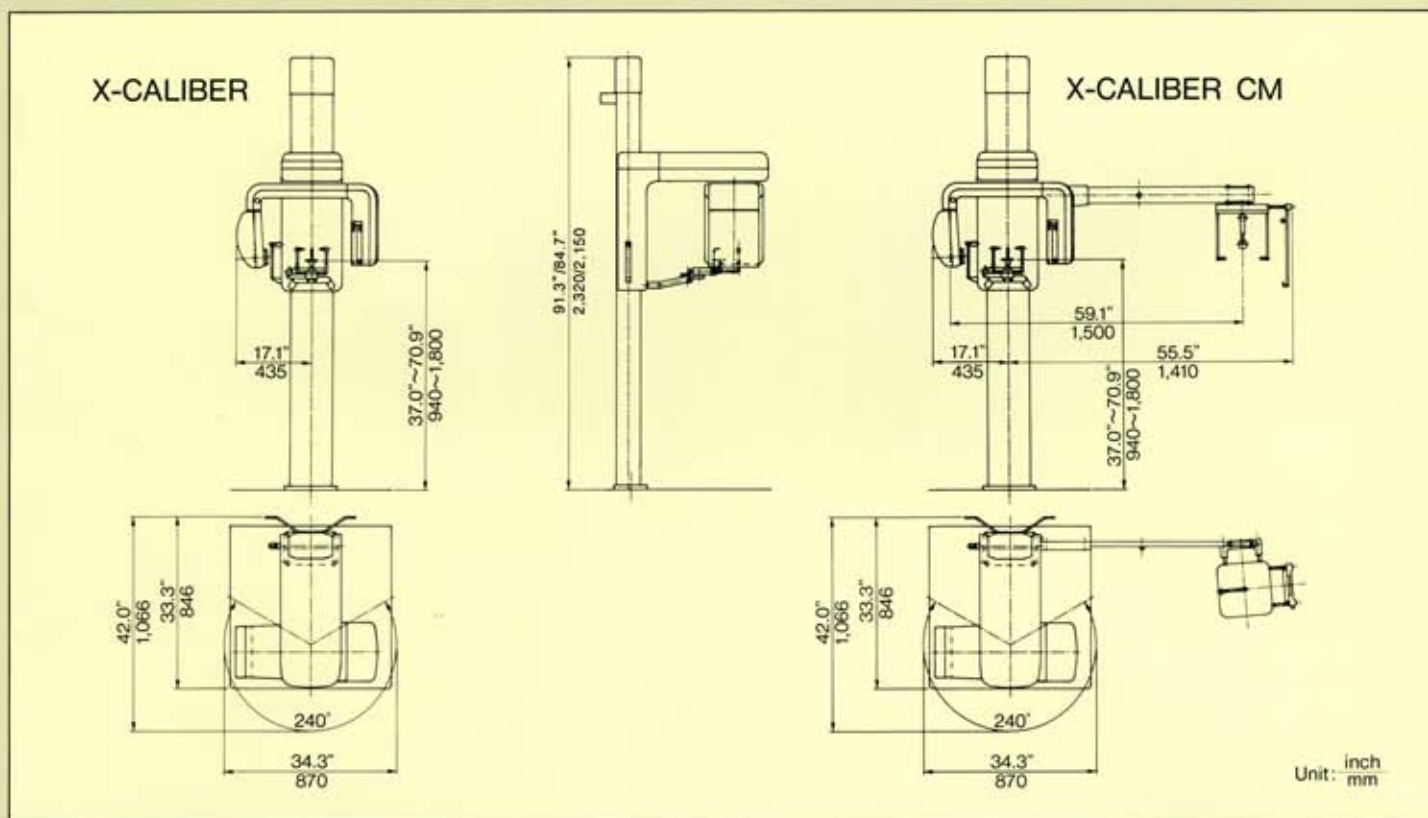
Exposure Time (Cephalometric mode) 0.3-3.2 sec.
adjustable in 15 steps
(only X-CALIBER CM)

Effective Focal Spot Size 0.5mm \times 1.0mm

Film Size 15cm \times 30cm at Panoramic and TMJ mode
20cm \times 25cm (18cm \times 24cm, optional) at Cephalometric mode (only X-CALIBER CM)

Weight X-CALIBER 192kg
X-CALIBER CM 220kg

DRAWINGS



Specifications, colors, pricing and availability are subject to change without notice. © copyright Belmont Equipment Corp.

Belmont®
Takara Belmont Corporation
OSAKA, JAPAN

ADR DIGITAL UPGRADE KIT

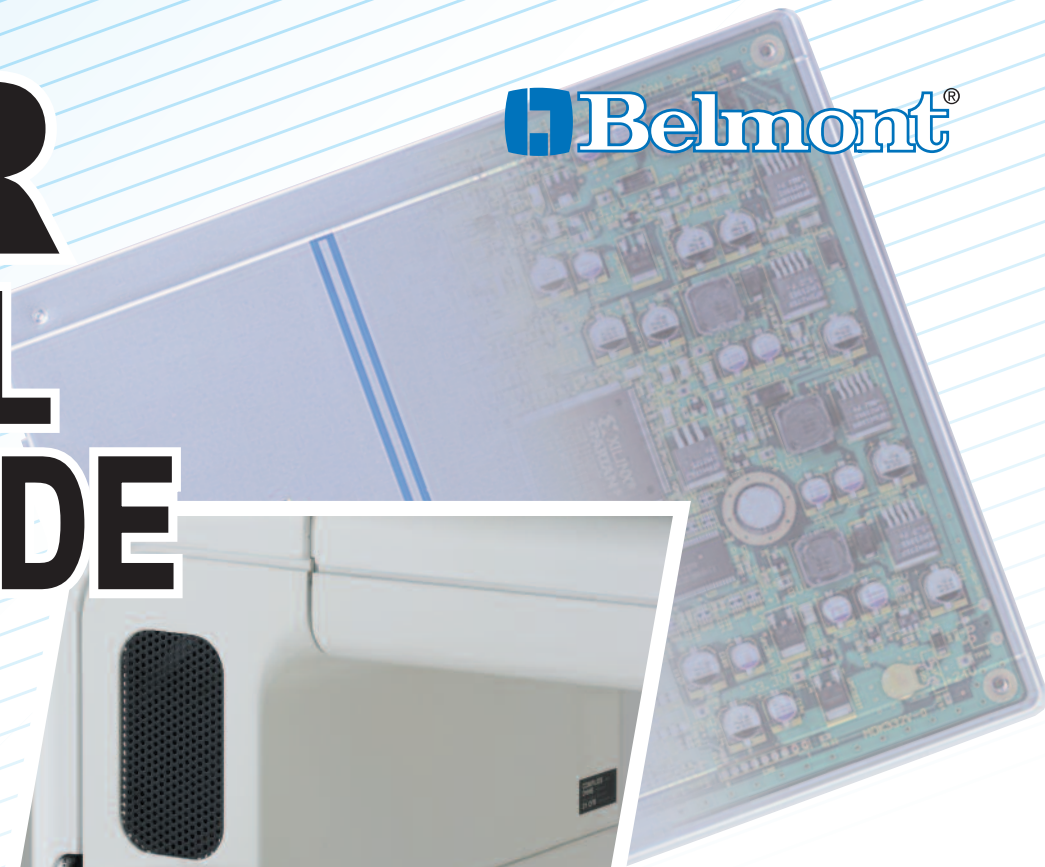
 Belmont®

Thousands of X-CALIBER EX-1000s are in use and can now be upgraded to digital

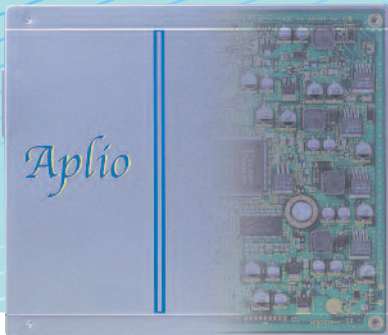
Enjoy all of the benefits of digital radiography without buying a new Pan



**Go digital...
Upgrade your existing film based
EX-1000 panoramic units into
state of the art digital panoramic
x-ray systems**

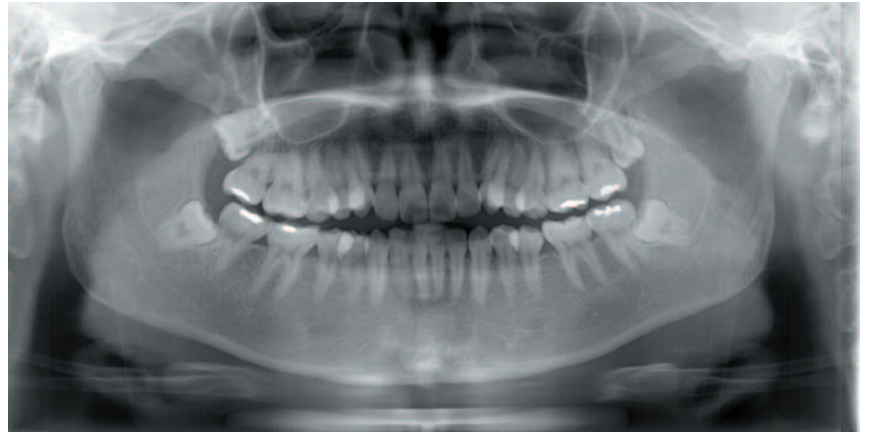


Genuine digital retrofit kit from Belmont



The state of the art CCD sensor unit

Color depth ; 12 bit
Static resolution ; 6 line pairs per mm
Signal to noise ratio ; 200:1
Interface ; Ethernet 10/100 Base-T



ADR

Why purchase a new X-ray system to go digital?

Affordability

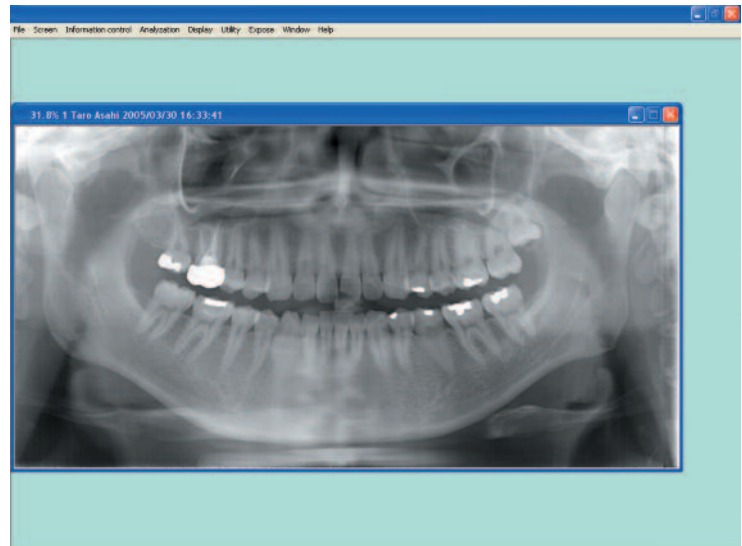
ADR upgrades your existing X-CALIBER EX-1000 into a digital panoramic X-ray system

Crisp Images

ADR incorporates a CCD sensor that yields clear, 12 bit digital images

Convertibility

ADR is easily installed by authorized dealer technicians at your office



 **Belmont**
www.belmontequip.com

BELMONT EQUIPMENT, Division of Takara Belmont, USA, Inc.
101 Belmont Drive Somerset, New Jersey 08873 U.S.A.
TEL.:(732)469-5000/(800)223-1192 Fax.:(732)526-6322/(800)280-7504
TAKARA CO, CANADA LTD.
2076 S. Sheridan Way, Mississauga, Ont., L5J2M4, Can.
TEL.:(905)822-2755 Fax.:(905)822-6203

